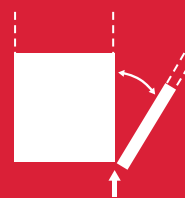
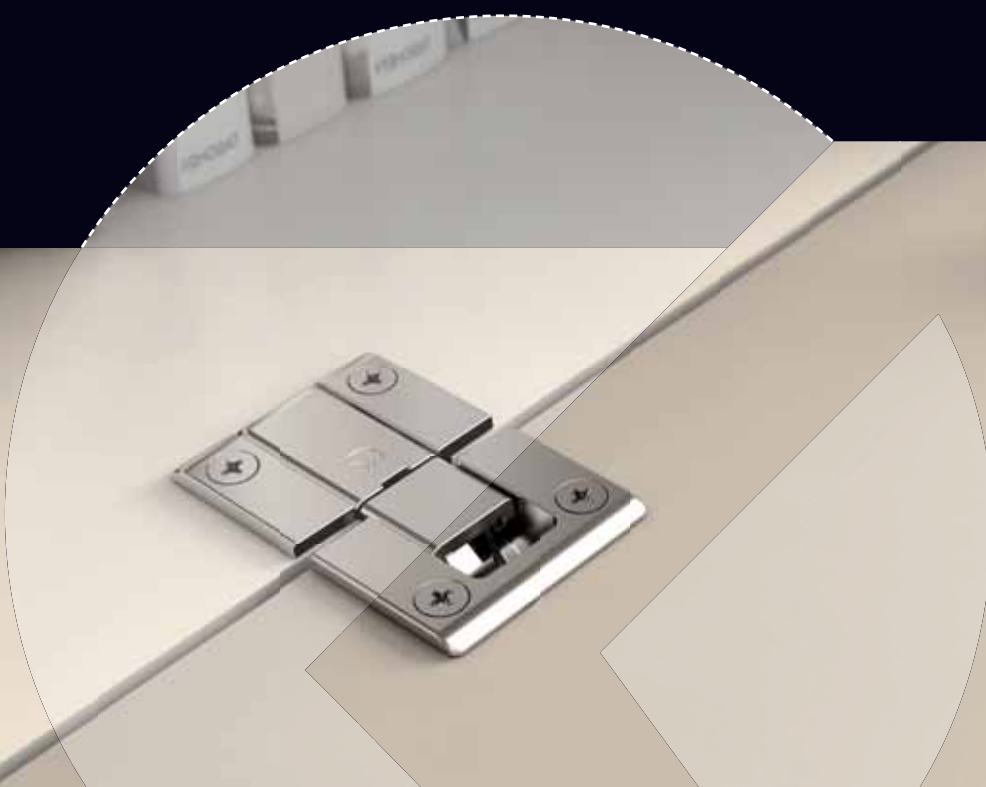
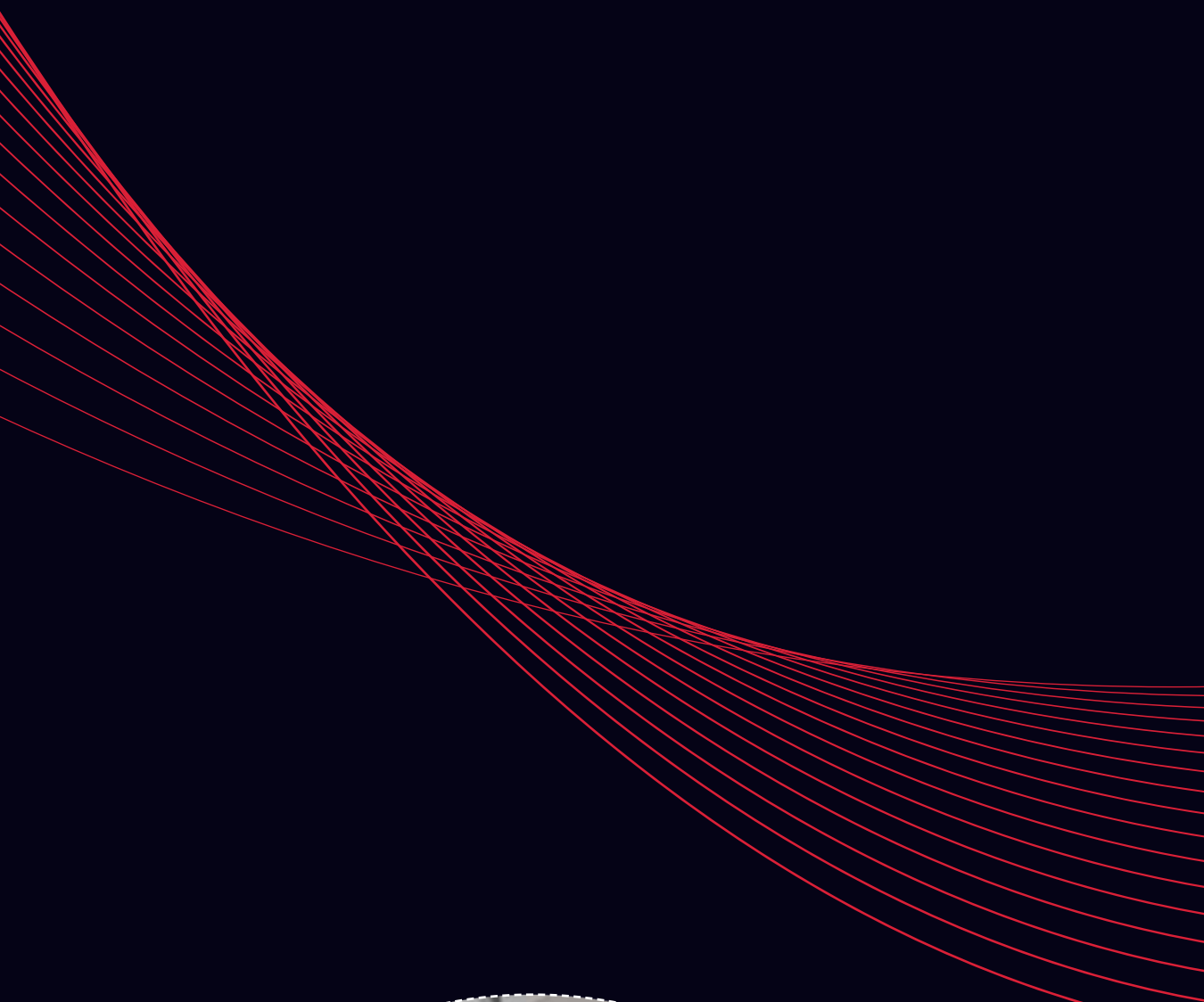


KIMANA



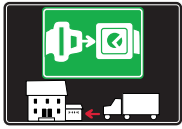
HINGES





# SYMBOLS AND FINISHES LEGEND

## SYMBOLS



= SHELF SAFELY LOCKED DURING TRANSPORTATION AND AT HOME.



= ANTI-TURNOVER LOCKING SYSTEM



= NORMS / PATENTS



= PHILLIPS / POZIDRIV



= NEWTON



= PART.NO



= HEXAGONAL SOCKET



= FRICTION



= PCS. PER PACKAGE



= BLADE SLOT



= AUTOMATIC



= COMBI SLOT



= DROP DOWN



= CAPACITY LOADING



= COUNTERSUNK HEAD



= WOOD / GLASS THICKNESS



= PAN HEAD



= STANDARD HINGE



= HOLE DIAMETER



= FLANGE HEAD



= KIMANA HINGE



= DIAMETER



= FLAT HEAD



= FLAP HINGE



= LENGTH



= TRILOBULAR SCREW



= WITH SPRING



= HEIGHT



= SELF-TAPPING SCREW



= WITHOUT SPRING



= RIGHT VERSION



= EURO THREAD



= REVERSED SPRING



= LEFT VERSION



= METRIC THREAD



= SETTING CODE



= PRE-INSERTED SCREW



= FOR ROUND TUBE



= PCS. PER PAD



= PRE-INSERTED SCREW AND SPREADING BUSH



= FOR OVAL TUBE



= CUT ON REQUEST



= WITH BUFFER



= SELF ADHESIVE



= WITH MAGNET



= WITH FLANGE

NOTE: Printing errors and omissions may exist despite our best efforts to ensure accuracy. We reserve the right to alter specifications without notice.

## MATERIALS

<b>ZA</b> = Zinc Alloy	<b>ST</b> = Steel	<b>HSS</b> = High Speed Steel	<b>BR</b> = Brass	<b>ABS</b> = Acrylonitrile Butadiene Styrene
<b>ZAnk</b> = Nickel-plated Zinc Alloy	<b>STzk</b> = Zinc-plated Steel	<b>AL</b> = Aluminium	<b>WD</b> = Wood	<b>EVA</b> = Ethylene Vinyl Acetate

**EP** = **ENGINEERING PLASTIC**

+ **EP** = other engineering plastic available on request

**SR** = **SOFT RUBBER**

+ **SR** = other soft rubber available on request

<b>EPn</b> = Natural Engineering Plastic	<b>EPc</b> = Clear Engineering Plastic	<b>SRn</b> = Natural Soft Rubber
<b>EPw</b> = White Engineering Plastic	<b>EPg</b> = Grey Engineering Plastic	<b>SRw</b> = White Soft Rubber
<b>EPwg</b> = Water Green Engineering Plastic		<b>SRb</b> = Black Soft Rubber



## FINISHES



= OTHER FINISHES AVAILABLE ON REQUEST

AA	Natural	JB	Bright Aluminium	QB	Walnut
AB	White	JC	Aluminium - Chrome	RO	Red
AC	Opal White	JD	Matt Aluminium	UZ	T -Met
AE	White 9010	JE	Satin-finished Aluminium	WA	Bronzed
AK	Champagne	JF	Aluminium - Brass	WI	Burnished
AL	Ivory	JG	Aluminium 5	XD	Satin-finished Steel
EA	Black	JL	Aluminium PE 11	YA	Nickel-plated
EB	Glossy Black	JM	Aluminium RAL 9006	YB	Bright Nickel-plated
EC	Matt Black	KA	Chrome	YC	Matt Nickel-plated
EE	Anthracite	KB	Bright Chrome	YD	Satin-finished Nickel-plated
FU	Gunmetal	KC	Matt Chrome	ZA	Zinc alloy
GR	Raw	MA	Brown	ZN	Zinc-plated
HA	Brass-Plated	MB	Light Brown 1	ZQ	Bright Gold
HH	Tropicalized	NN	Metallic Beige	ZY	Titanium
HL	Raw Brass	NO	Beige	ZZ	Clear
IA	Grey	OA	Oak	00	Insignificant finish
IB	Metallic Grey	OZ	Ash		
IF	Middle Grey	PA	Light Ash		
IJ	Light Grey	PZ	Beech		
IL	Grey 20	QA	Maple		



# KIMANA

**KIMANA** is the new hinge conceived by Italiana Ferramenta to open and close flap and drop-down doors. Provided with a unique and exclusive movement, it allows to open cabinet doors in column, even when the cabinet bottom lies upon another panel or the cabinet top is surmounted by a decorative/lighting panel. The small dimensions ( $\varnothing$  26mm boring for both the door and the bottom), the minimalistic and elegant design contribute to make **KIMANA** not only a functional hinge, but also a product unique in its genre. The fixing screws are perpendicular, thus making **KIMANA** suitable for perfect positioning, as well as for aluminium profiles. **KIMANA** can be easily adjusted through the screws (PZ2) which are hidden underneath the cover.

Various door and cabinet thickness-combinations can be solutioned either by carrying out the adjustments of the **KIMANA** or by plaing adapters under the hinge clip so that the ideal movement and alignment of the door are guaranteed.

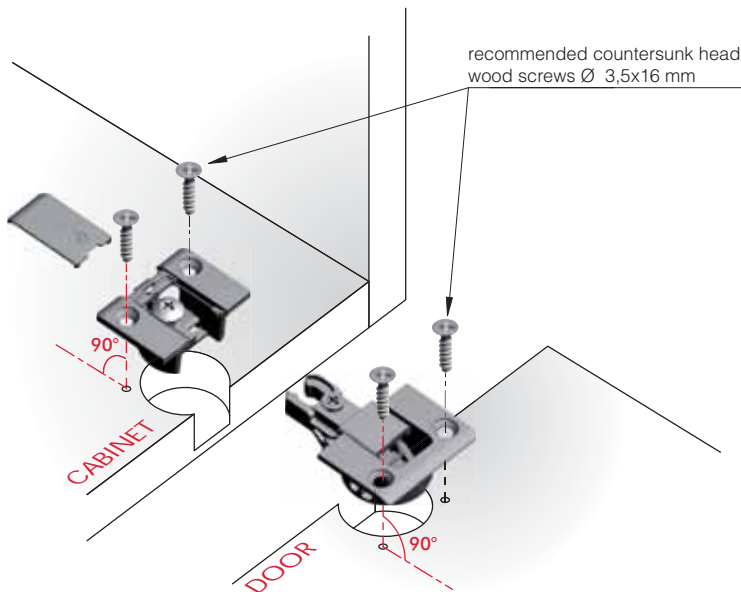


GOOD DESIGN AWARD, 2012

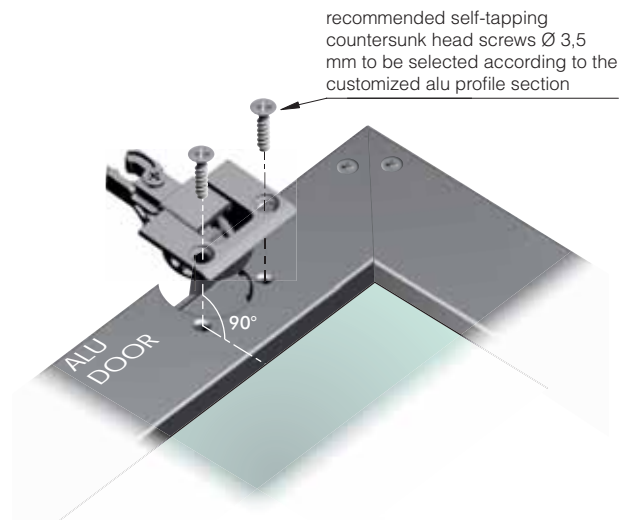
PAT. PENDING  
REGISTERED DESIGN

PAT. PENDING  
REGISTERED DESIGN

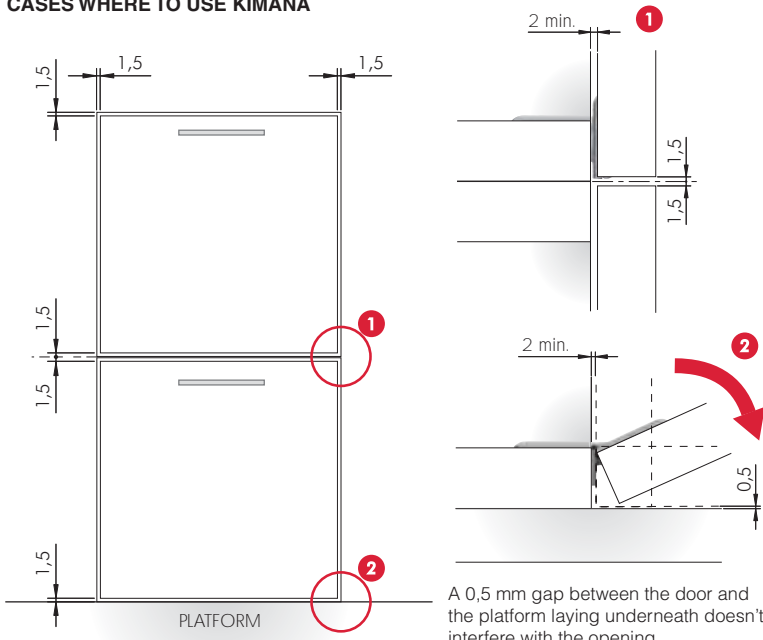
### INSTALLATION ON UNIT WITH SOLID DOOR (Application shown for minimum thickness 18 mm)



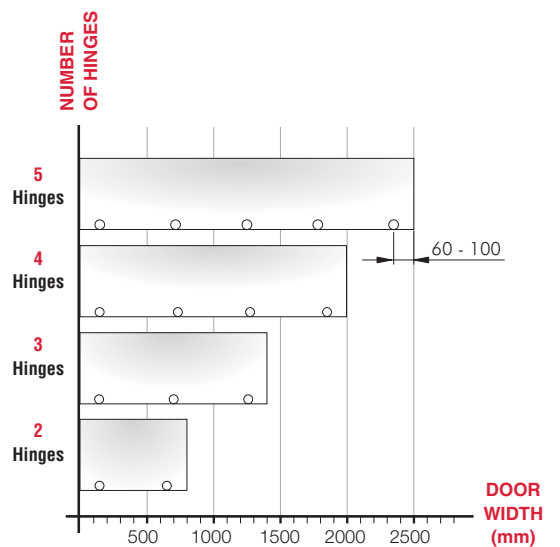
### INSTALLATION ON UNIT WITH ALUMINIUM DOOR (Application shown for minimum thickness 18 mm)



### CASES WHERE TO USE KIMANA



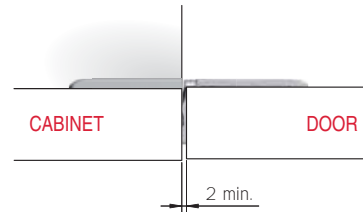
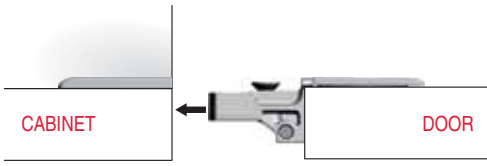
### RECOMMENDED NUMBER OF KIMANA PER DOOR



Due to various factors, the quantities stated in the chart are indicative.

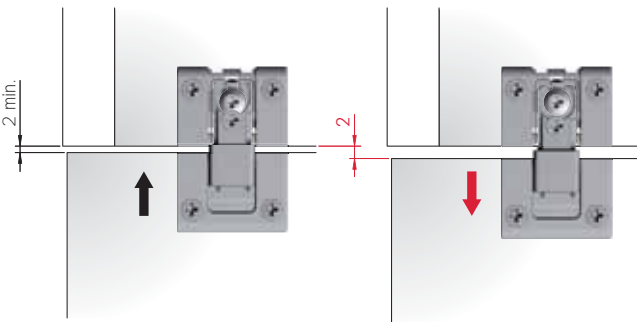


**DOOR INSTALLATION**



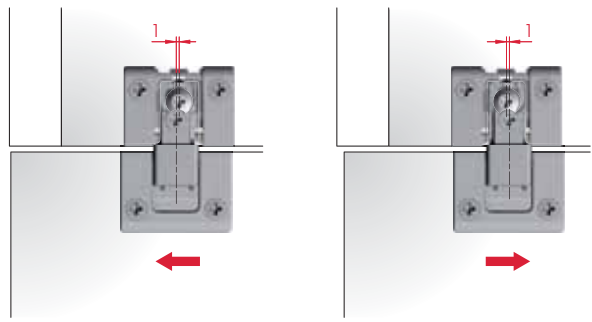
**IN-DEPTH ADJUSTMENT 0+2 mm**

⚠ TO BE MADE BEFORE LOCKING SCREW OPERATION ⚠



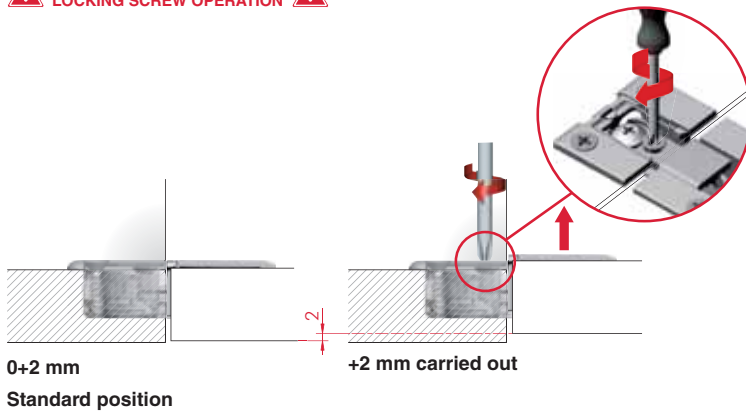
**LATERAL ADJUSTMENT 0±1 mm**

⚠ TO BE MADE BEFORE LOCKING SCREW OPERATION ⚠

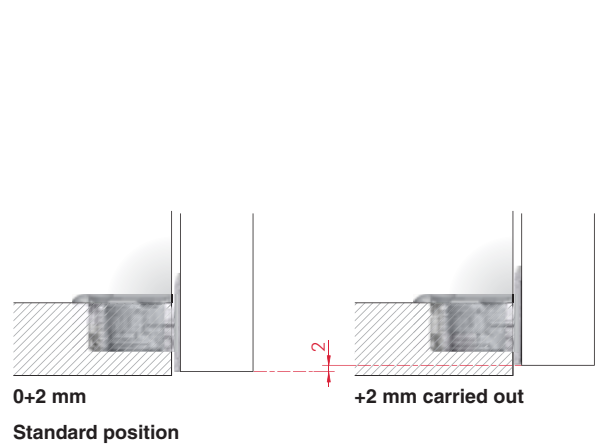


**VERTICAL ADJUSTMENT 0+2 mm - DOOR OPEN**

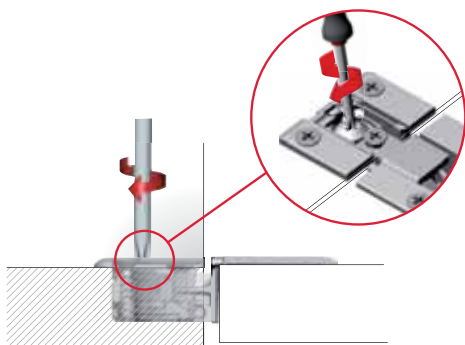
⚠ TO BE MADE BEFORE LOCKING SCREW OPERATION ⚠



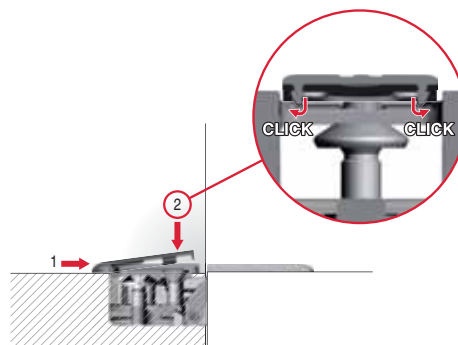
**VERTICAL ADJUSTMENT 0+2 mm - DOOR CLOSED**



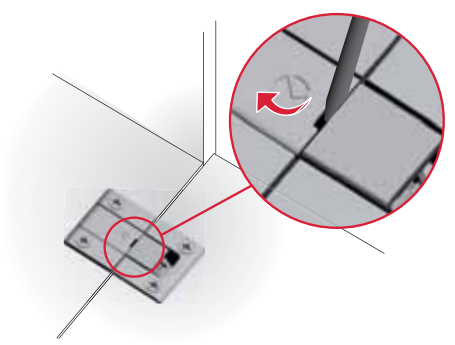
**LOCKING SCREW**

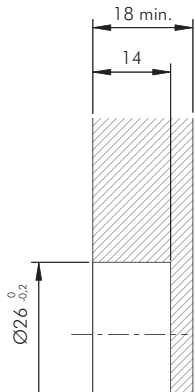


**COVER CAP INSERTION**

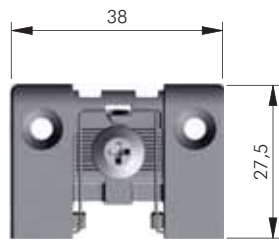
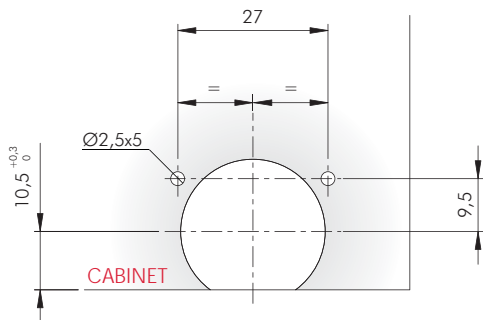


**COVER CAP REMOVAL**

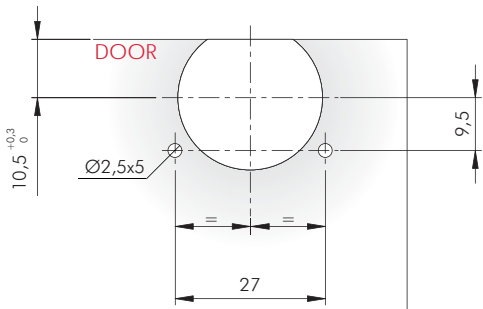
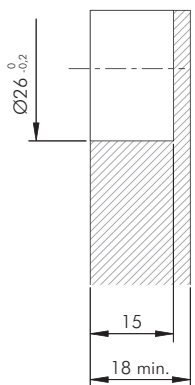
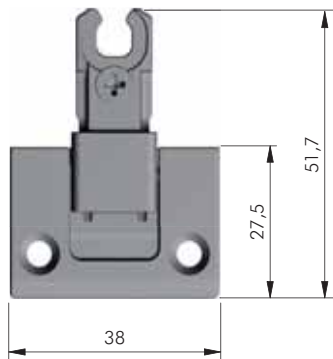




NOTE: For panel thickness lower than 18 mm, refer to "KIMANA ADAPTERS".

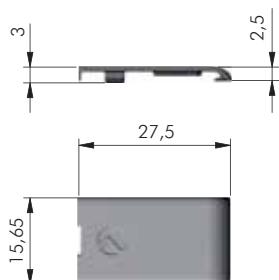


	ZA	ST	= 150 pcs.
	40120000YA		



NOTE: For panel thickness lower than 18 mm, refer to "KIMANA ADAPTERS".

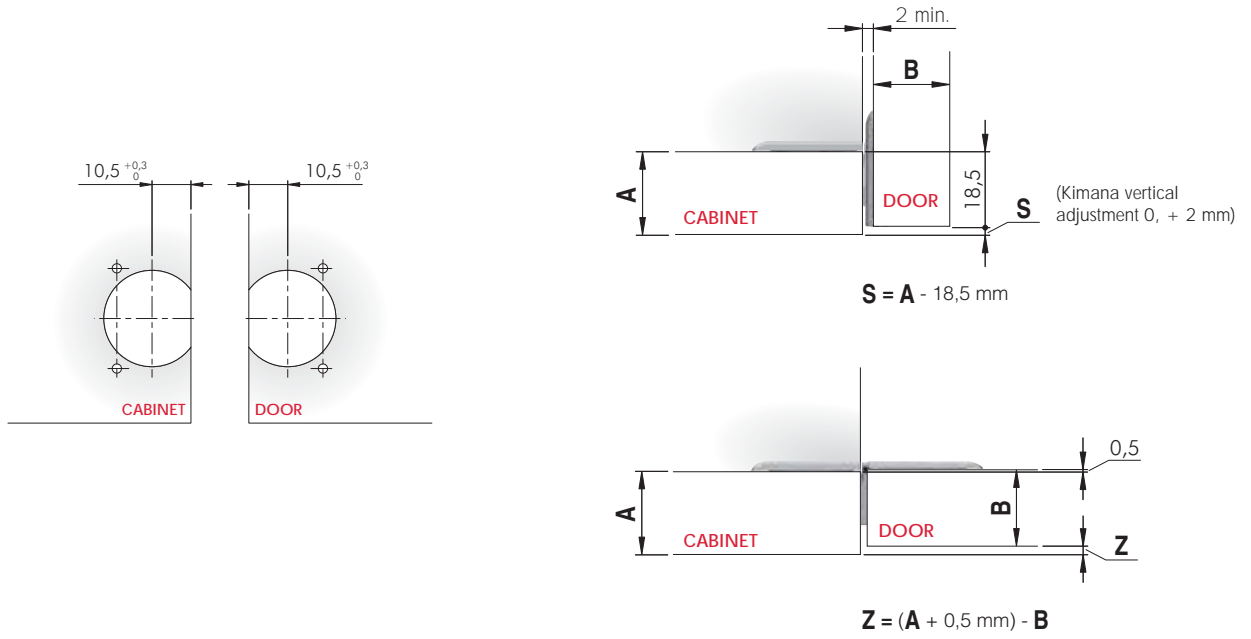
	ZA	ST	= 150 pcs.
	40120010YA		



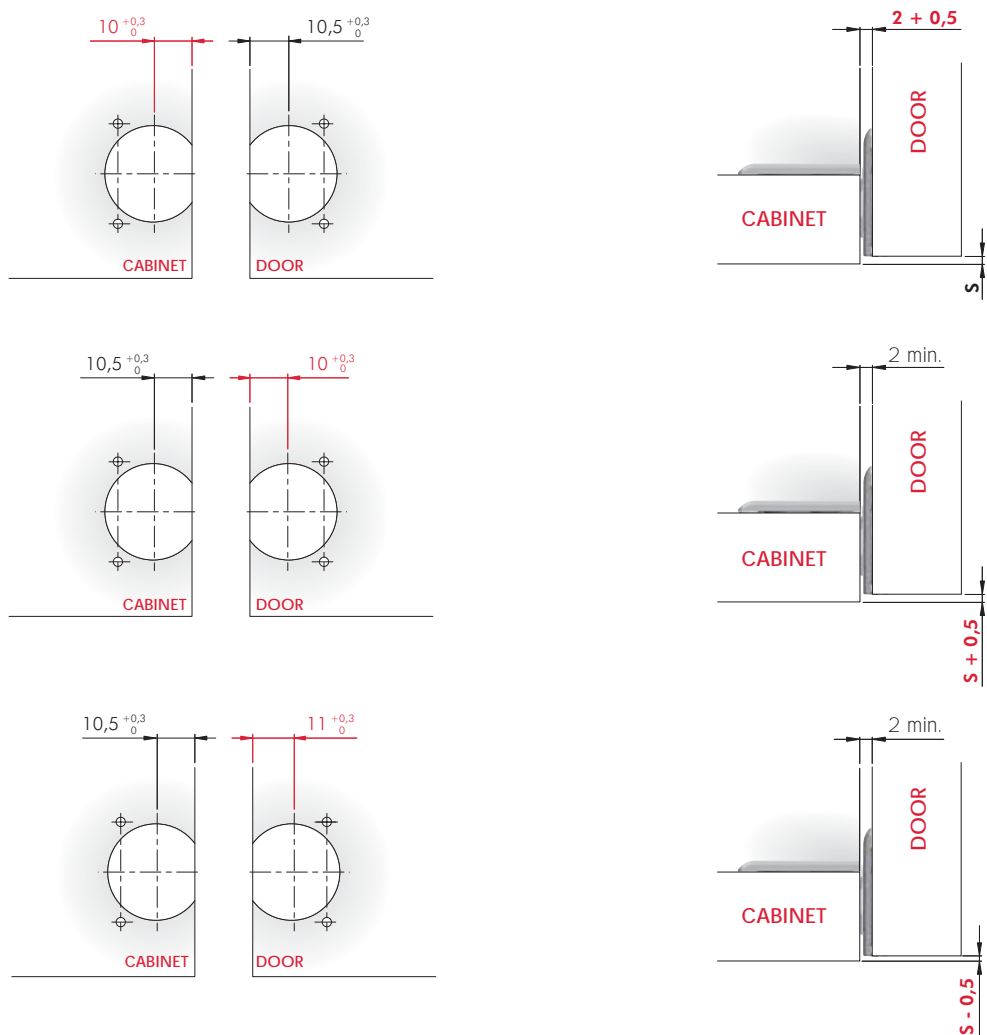
	ZA	= 150 pcs.
	40120040YA	



STANDARD CONDITION



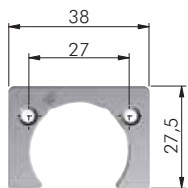
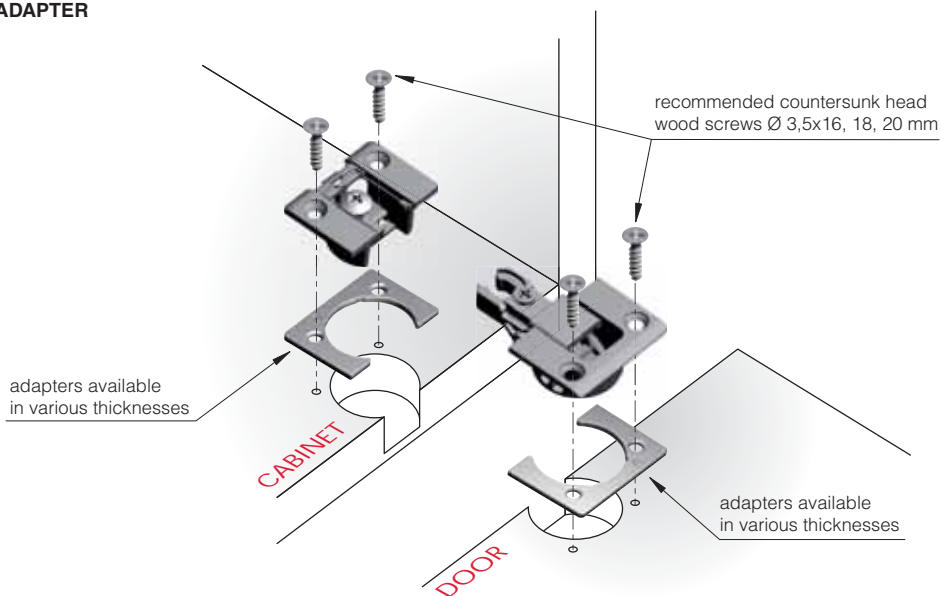
SPECIAL DRILLING PLAN TO MANAGE OVERLAY AND GAP BETWEEN DOOR AND CABINET



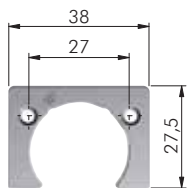


# KIMANA ADAPTERS

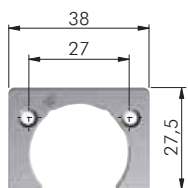
## INSTALLATION WITH ADAPTER



ZA	= on request
123	
40115320YA	

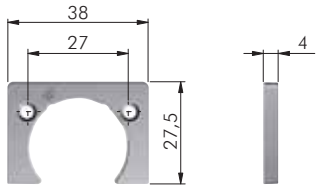


ZA	= on request
123	
40115340YA	



ZA	= on request
123	
40115360YA	



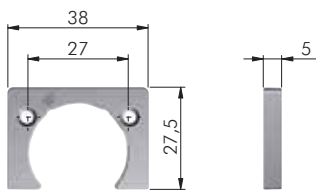


ZA

= on request



40115400YA



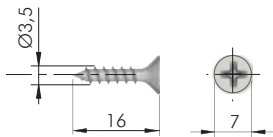
ZA

= on request



40115440YA

**FIXING ACCESSORY FOR BOTH KIMANA AND ADAPTERS PART NO. 40115320YA**



= Ø 2,5 mm



= PZ2

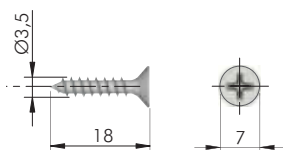
ST

= 10.000 pcs.



60101390YA

**FIXING ACCESSORY FOR KIMANA ADAPTERS PART NO. 40115340YA - 40115460YA**



= Ø 2,5 mm



= PZ2

ST

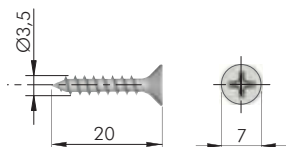
= 10.000 pcs.



60101400YA

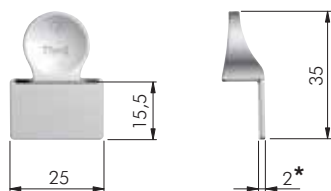
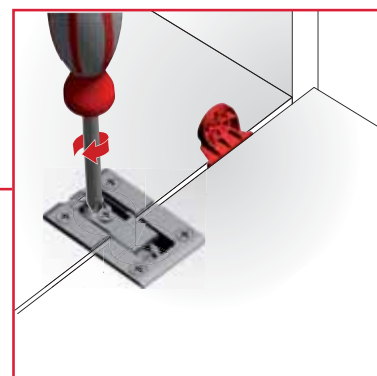
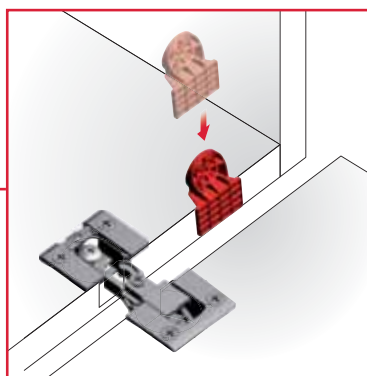
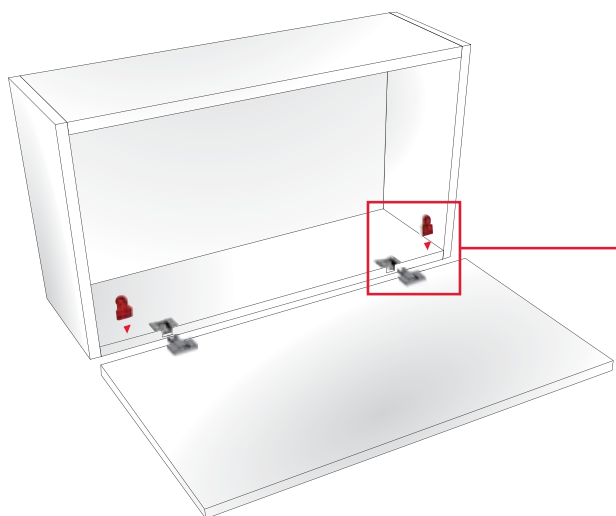


### FIXING ACCESSORY FOR KIMANA ADAPTER PART NO. 40115400YA



	= Ø 2,5 mm		
			= PZ2
ST		= 10.000 pcs.	
		60101410YA	

### DOOR ALIGNMENT SPACER FOR KIMANA HINGES

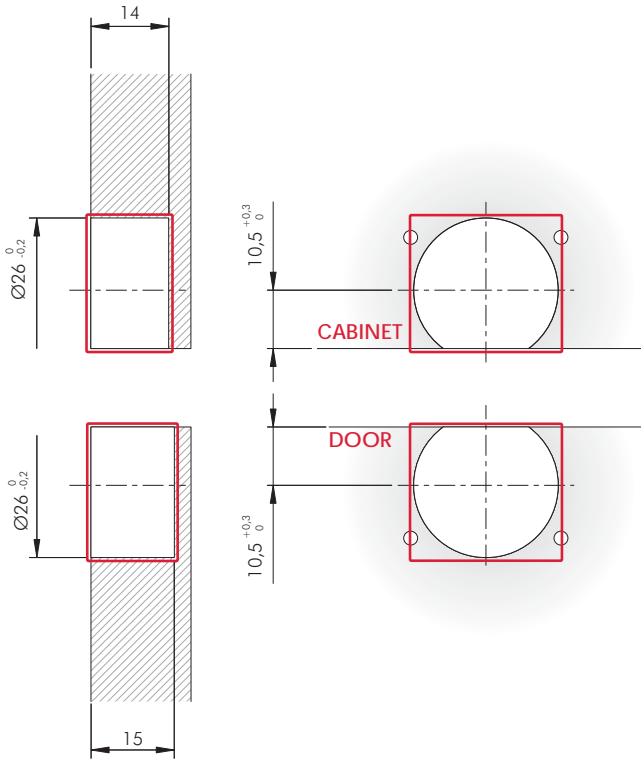





EP		= on request	
		40115630RO	

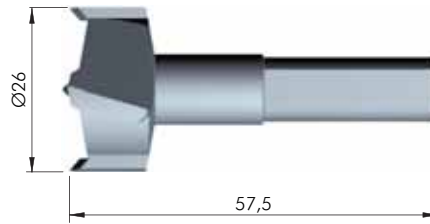
2 pcs featured in each polybag.  
 \* For non-standard drilling plans 1,5, 2,5, 3 and 4 mm spacers are also available.

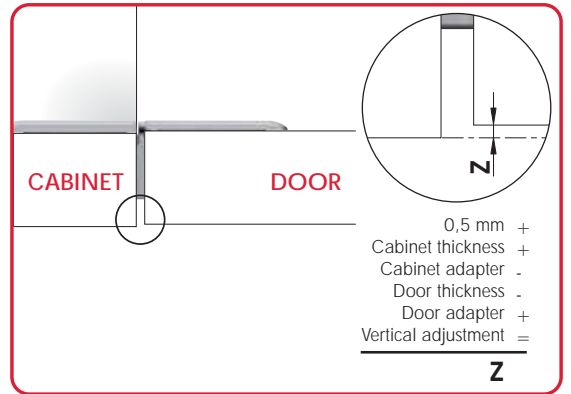
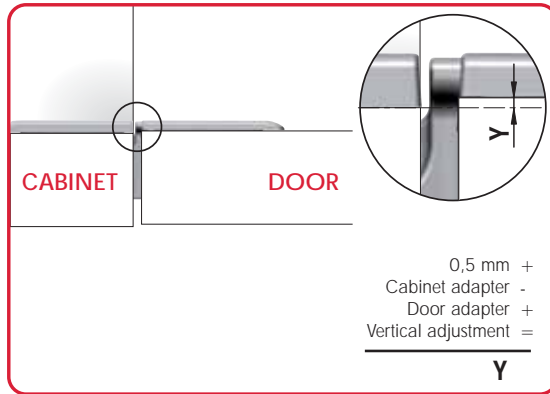
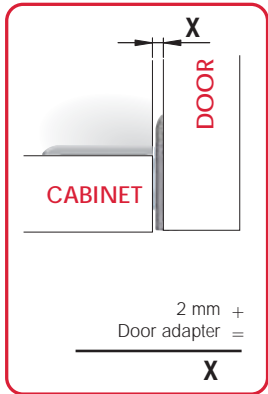


**DRILL BIT FOR KIMANA**



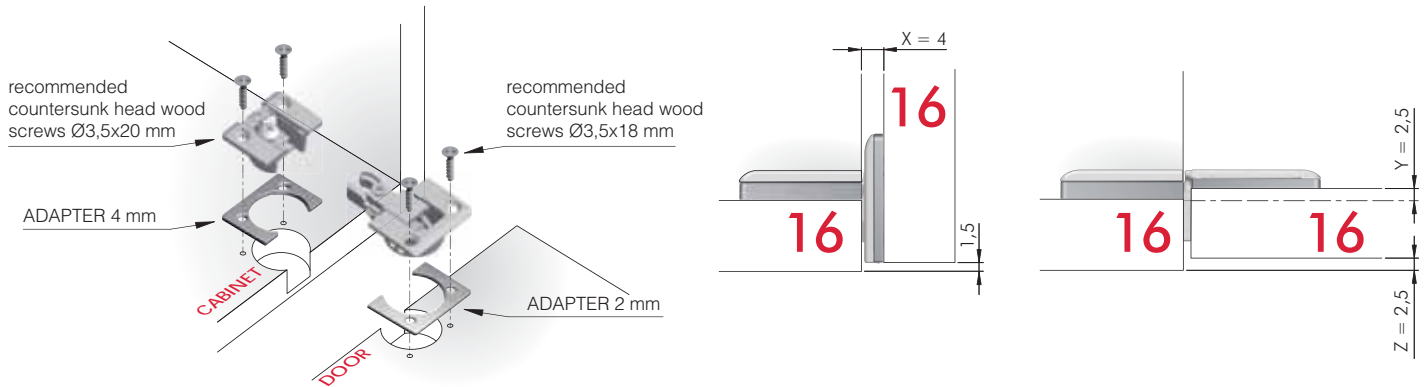
HSS	 = on request
 6270101000	





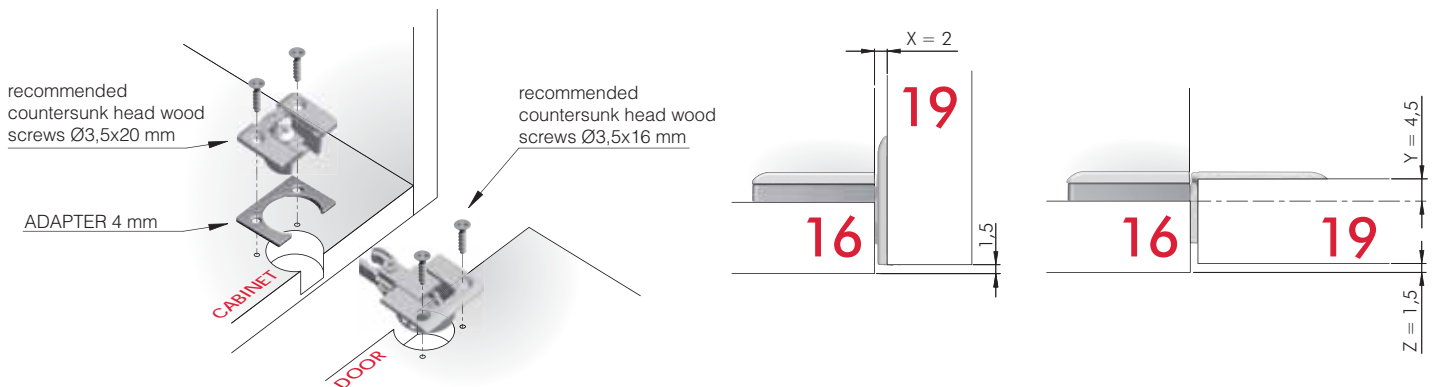
CABINET 16 mm WITH ADAPTER 4 mm THICK - DOOR 16 mm WITH ADAPTER 2 mm THICK

0 + 2 mm FURTHER VERTICAL ADJUSTMENT



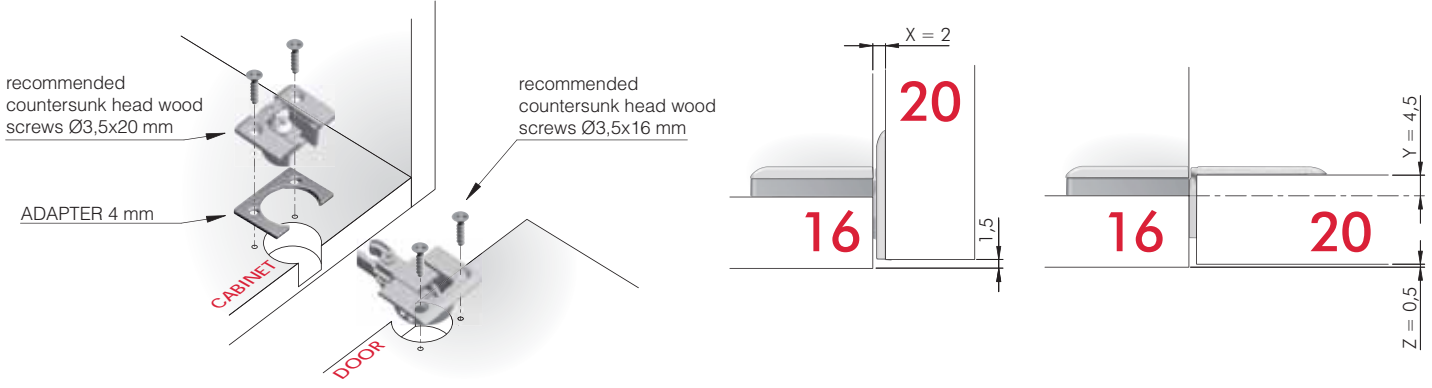
CABINET 16 mm WITH ADAPTER 4 mm THICK - DOOR 19 mm WITHOUT ADAPTER

0 + 2 mm FURTHER VERTICAL ADJUSTMENT



CABINET 16 mm WITH ADAPTER 4 mm THICK - DOOR 20 mm WITHOUT ADAPTER

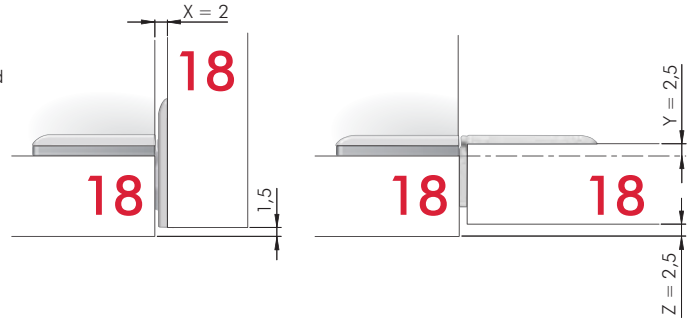
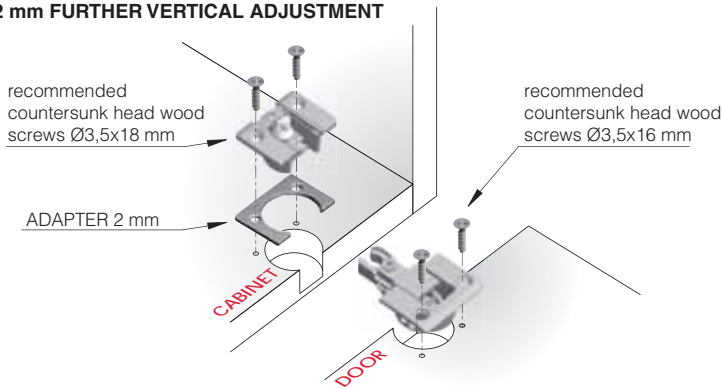
0 + 2 mm FURTHER VERTICAL ADJUSTMENT





**CABINET 18 mm WITH ADAPTER 2 mm THICK - DOOR 18 mm WITHOUT ADAPTER**

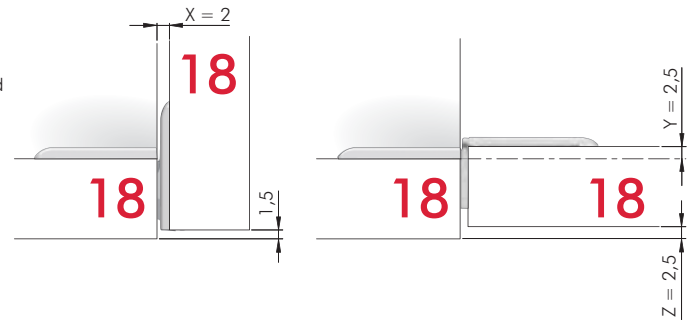
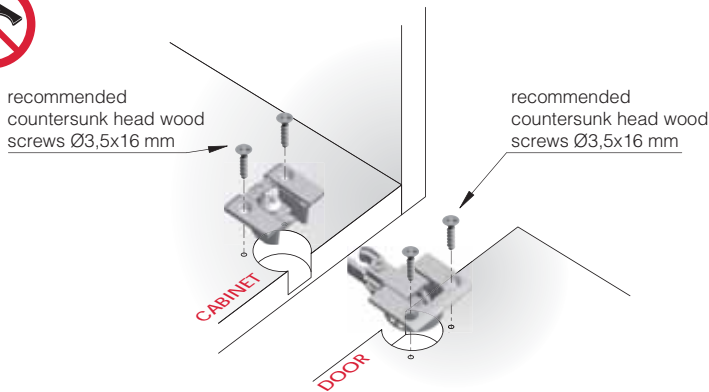
**0 + 2 mm FURTHER VERTICAL ADJUSTMENT**



**CABINET 18 mm WITHOUT ADAPTER - DOOR 18 mm WITHOUT ADAPTER**

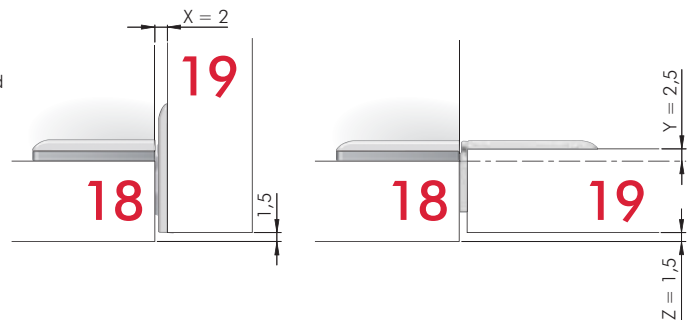
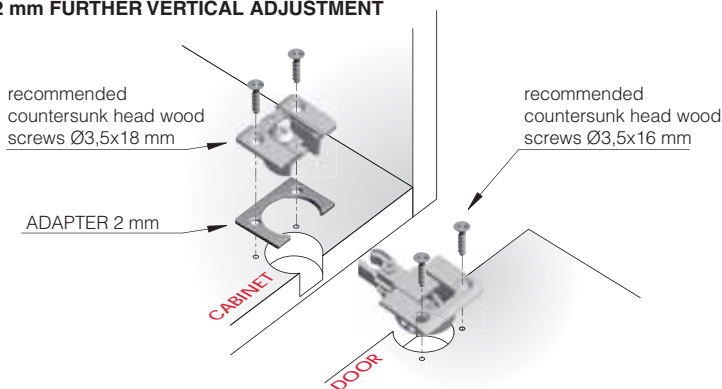


**WITH VERTICAL ADJUSTMENT + 2 mm CARRIED OUT**



**CABINET 18 mm WITH ADAPTER 2 mm THICK - DOOR 19 mm WITHOUT ADAPTER**

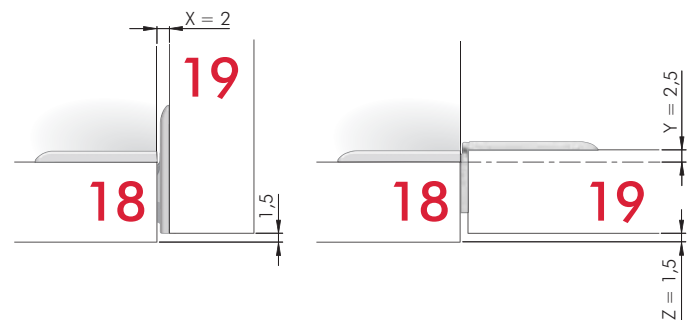
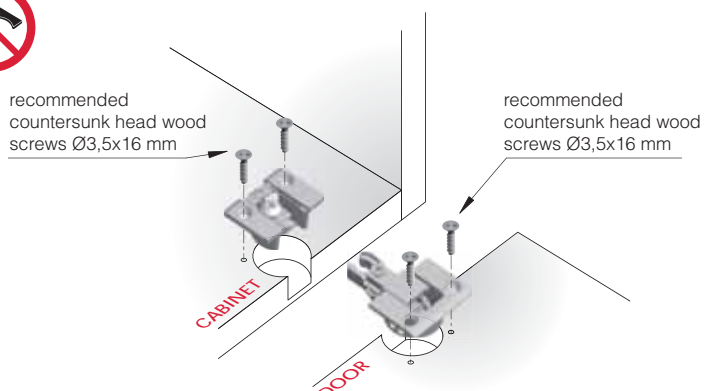
**0 + 2 mm FURTHER VERTICAL ADJUSTMENT**



**CABINET 18 mm WITHOUT ADAPTER - DOOR 19 mm WITHOUT ADAPTER**



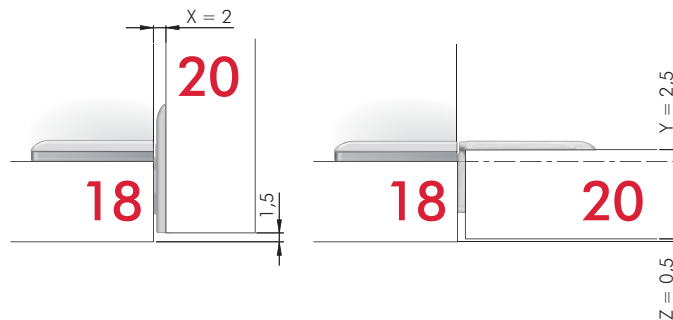
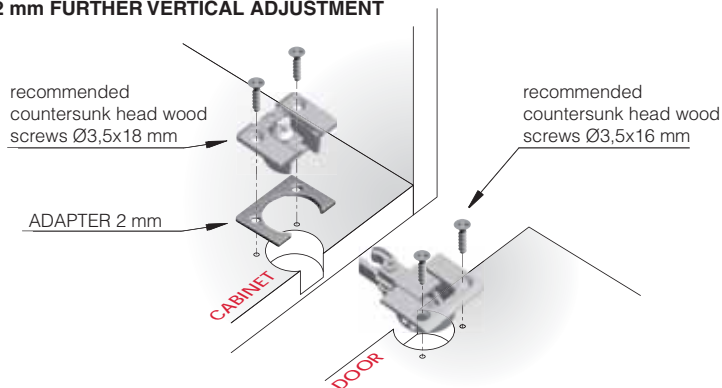
**WITH VERTICAL ADJUSTMENT + 2 mm CARRIED OUT**





CABINET 18 mm WITH ADAPTER 2 mm THICK - DOOR 20 mm WITHOUT ADAPTER

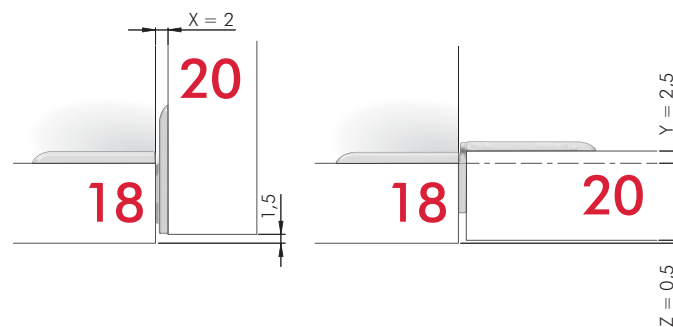
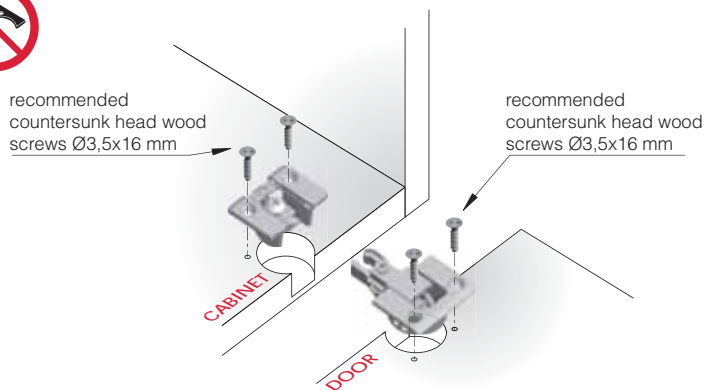
0 + 2 mm FURTHER VERTICAL ADJUSTMENT



CABINET 18 mm WITHOUT ADAPTER - DOOR 20 mm WITHOUT ADAPTER

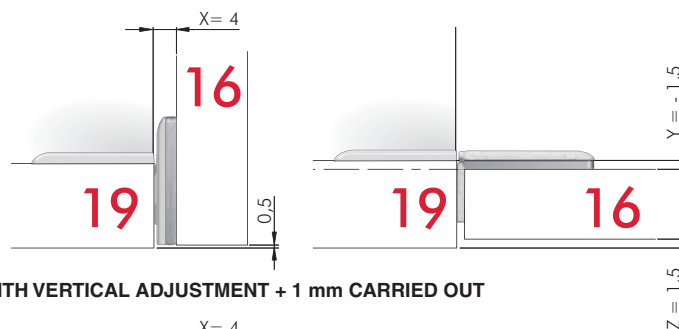
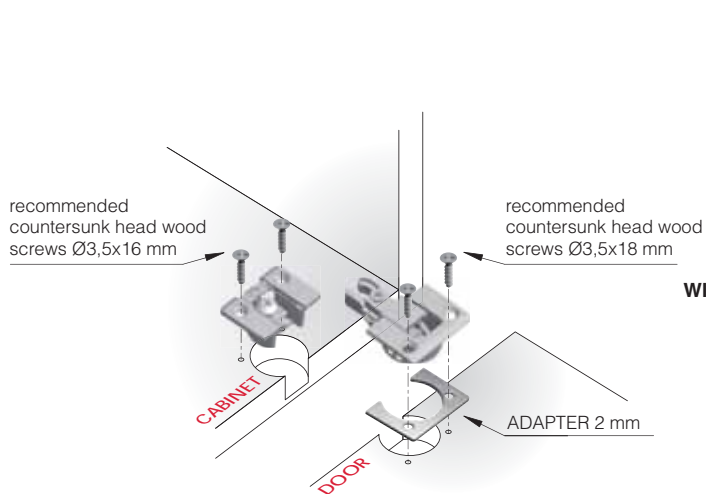


WITH VERTICAL ADJUSTMENT + 2 mm CARRIED OUT

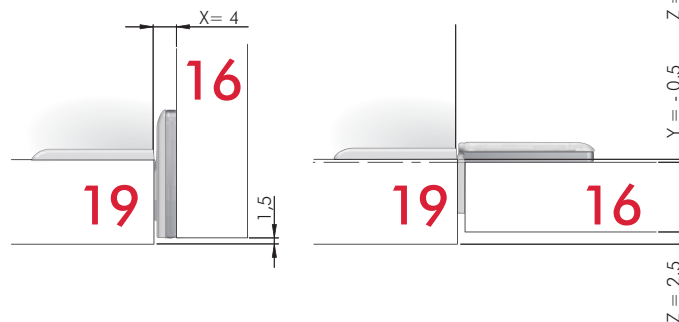


CABINET 19 mm WITHOUT ADAPTER - DOOR 16 mm WITH ADAPTER 2 mm THICK

0 + 2 mm FURTHER VERTICAL ADJUSTMENT

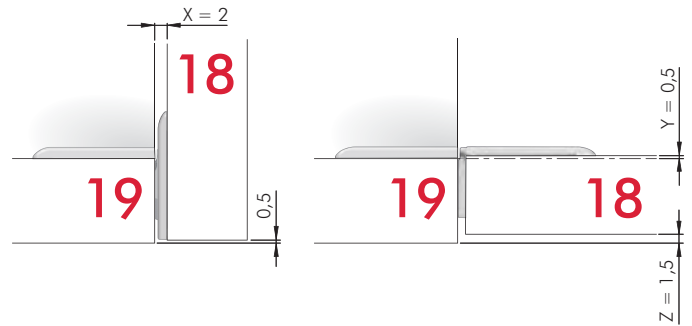
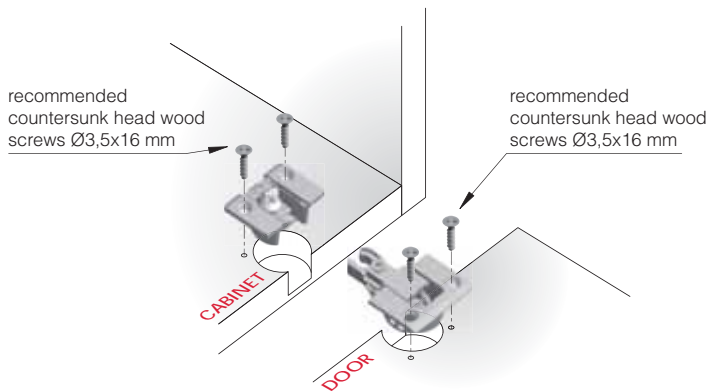


WITH VERTICAL ADJUSTMENT + 1 mm CARRIED OUT

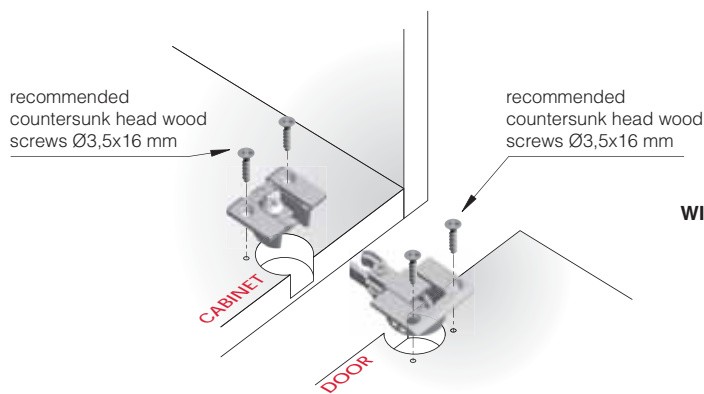




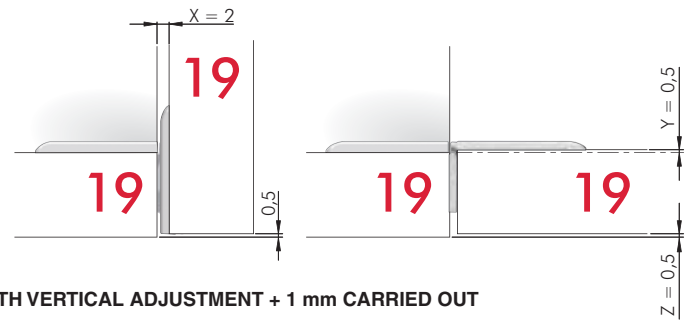
**CABINET 19 mm WITHOUT ADAPTER - DOOR 18 mm WITHOUT ADAPTER**



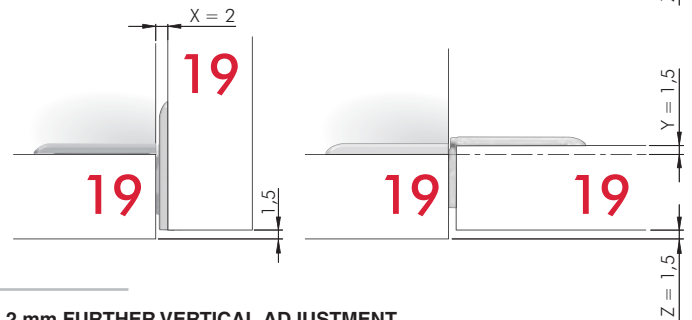
**CABINET 19 mm WITHOUT ADAPTER - DOOR 19 mm WITHOUT ADAPTER**



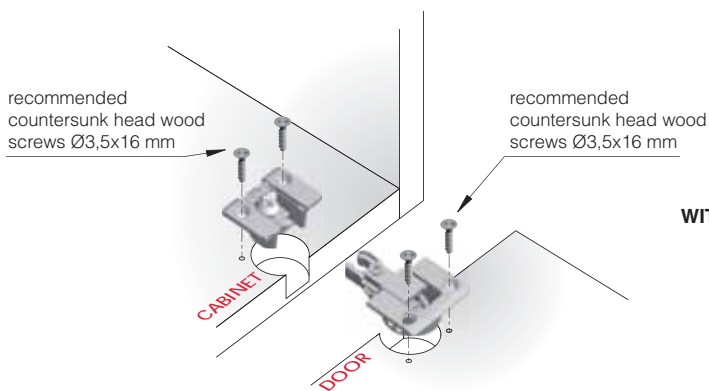
**0 + 2 mm FURTHER VERTICAL ADJUSTMENT**



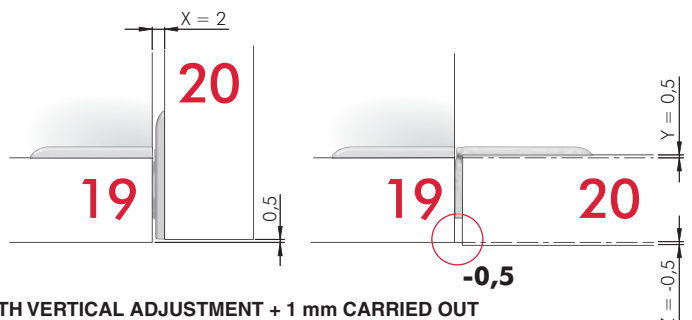
**WITH VERTICAL ADJUSTMENT + 1 mm CARRIED OUT**



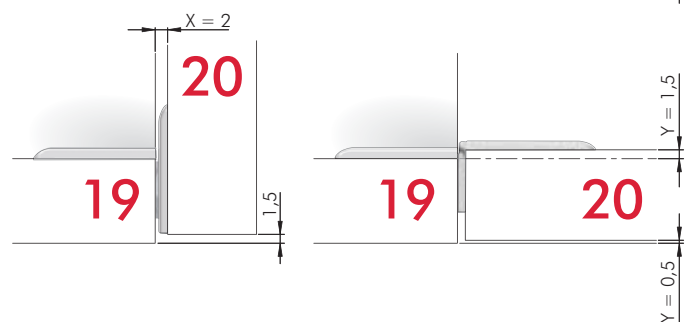
**CABINET 19 mm WITHOUT ADAPTER - DOOR 20 mm WITHOUT ADAPTER**

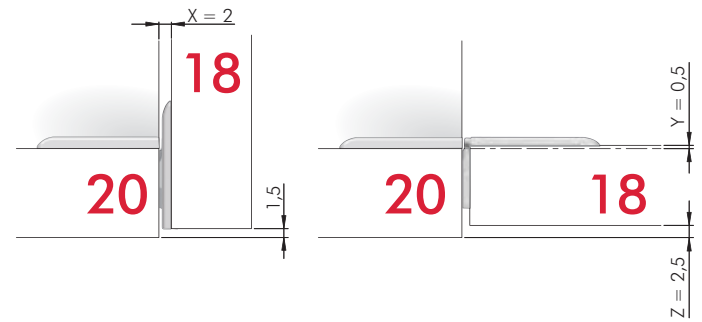
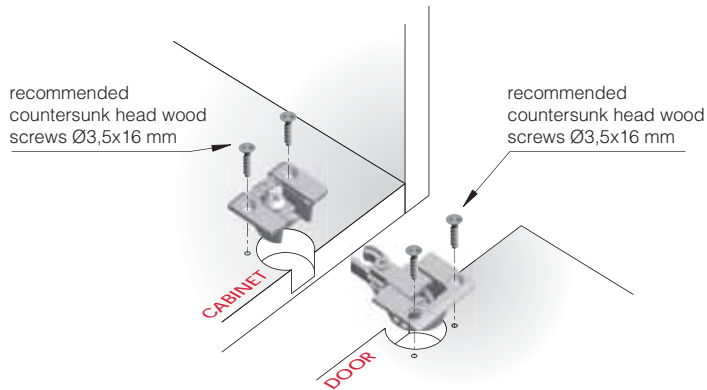
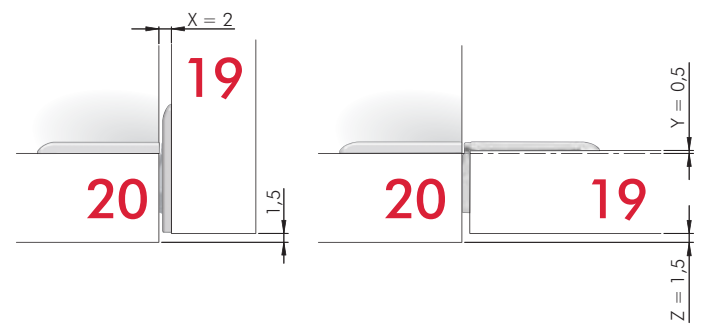
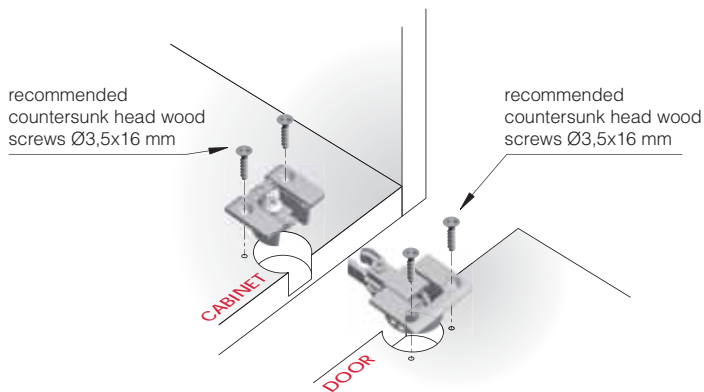
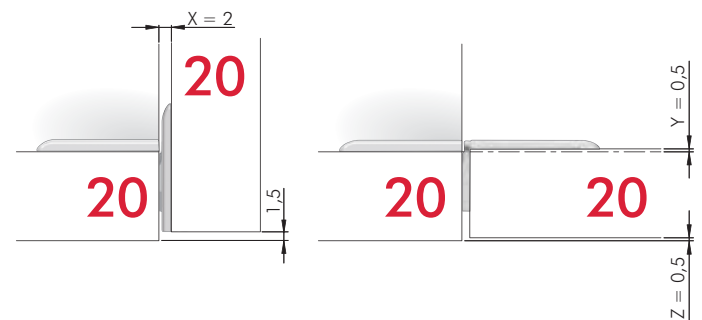
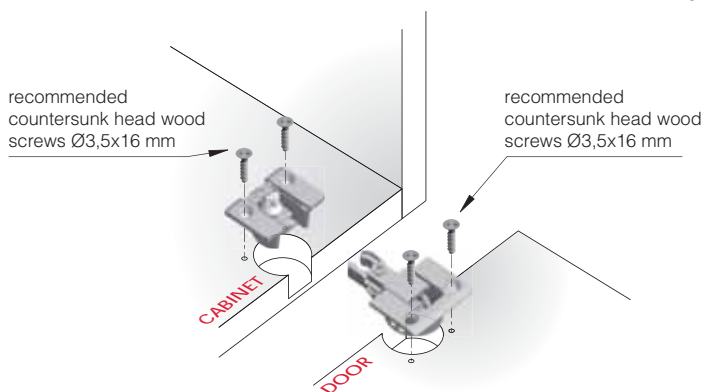


**0 + 2 mm FURTHER VERTICAL ADJUSTMENT**



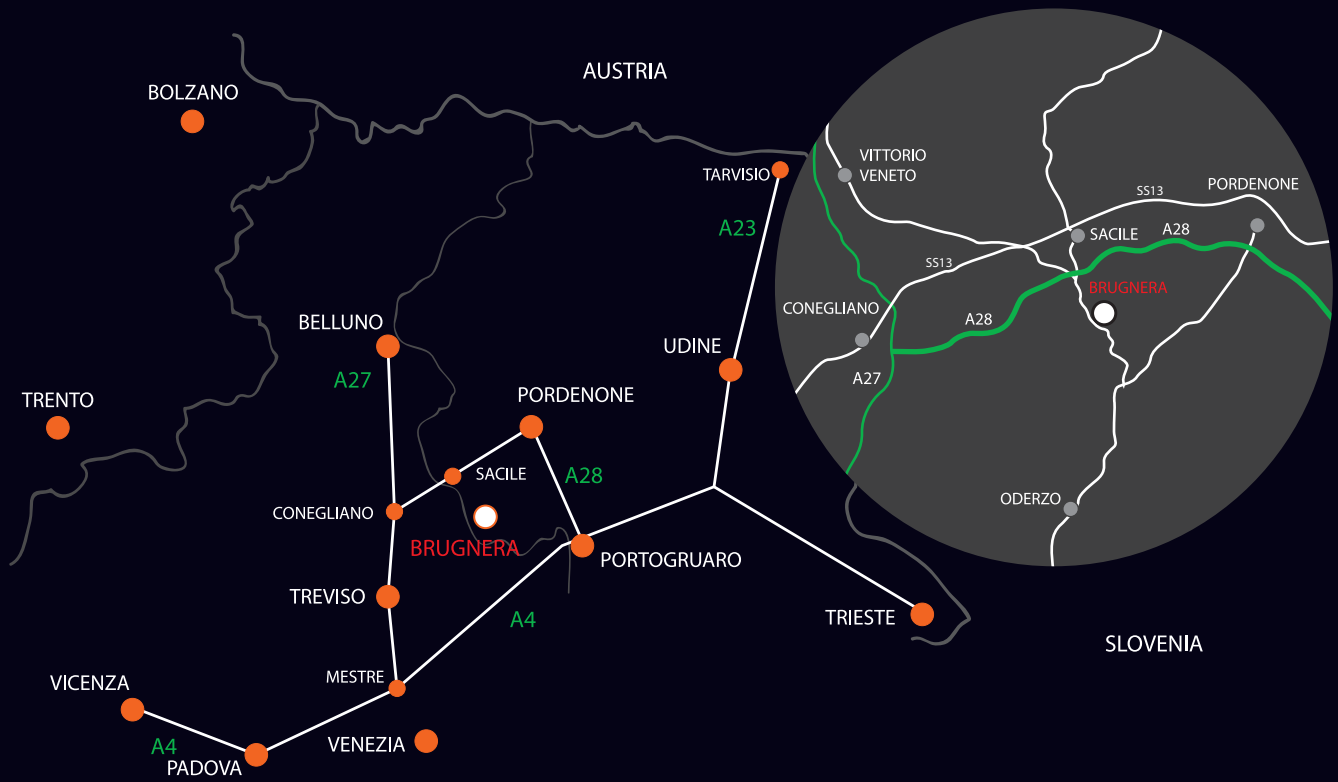
**WITH VERTICAL ADJUSTMENT + 1 mm CARRIED OUT**



**CABINET 20 mm WITHOUT ADAPTER - DOOR 18 mm WITHOUT ADAPTER**
**0 + 2 mm FURTHER VERTICAL ADJUSTMENT**

**CABINET 20 mm WITHOUT ADAPTER - DOOR 19 mm WITHOUT ADAPTER**
**0 + 2 mm FURTHER VERTICAL ADJUSTMENT**

**CABINET 20 mm WITHOUT ADAPTER - DOOR 20 mm WITHOUT ADAPTER**
**0 + 2 mm FURTHER VERTICAL ADJUSTMENT**








[www.italianaferramenta.com](http://www.italianaferramenta.com)