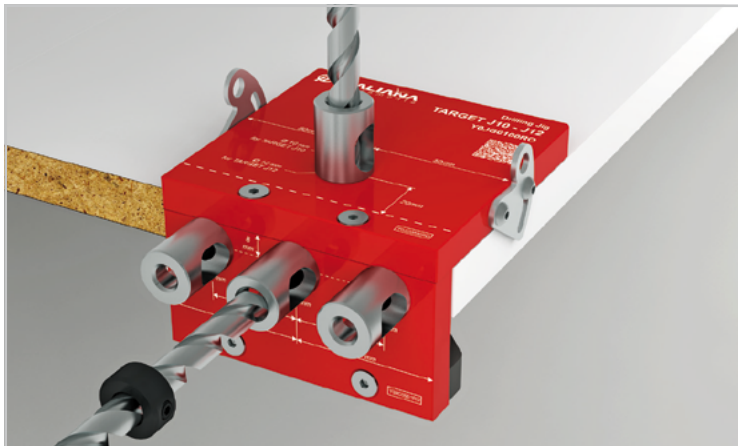


Šablony pre TARGET J10-J12

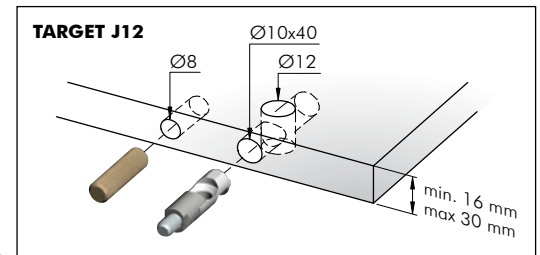
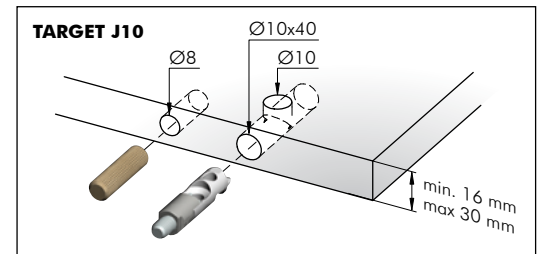
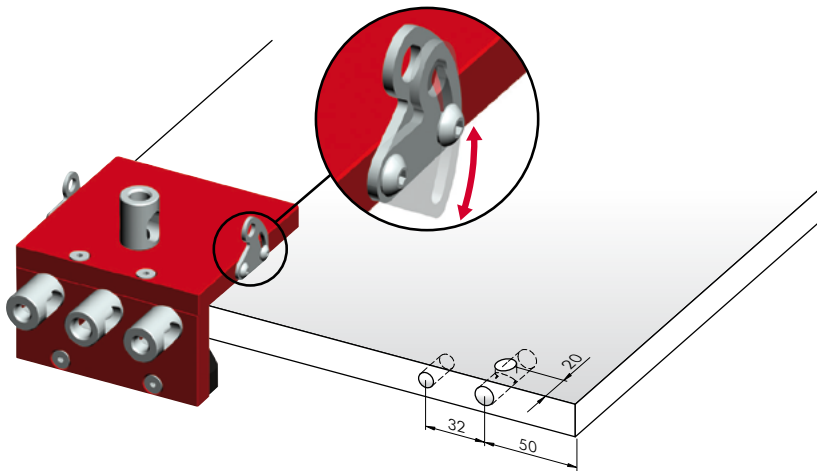
www.nabytkar.com



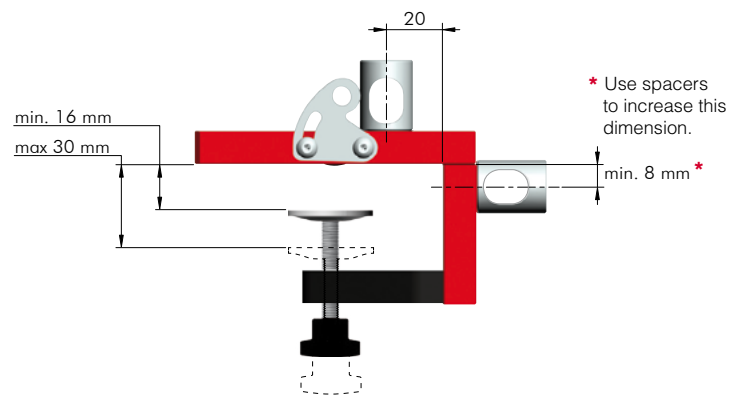
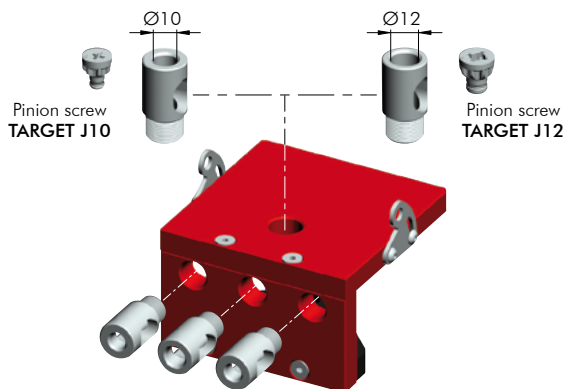
kód
788437

16 - 30 mm

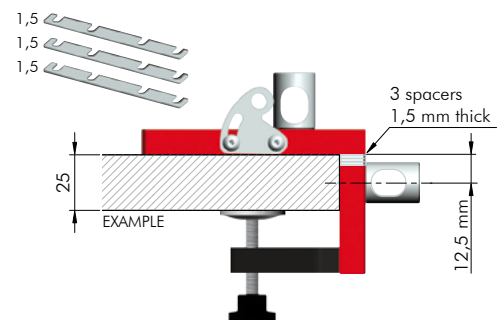
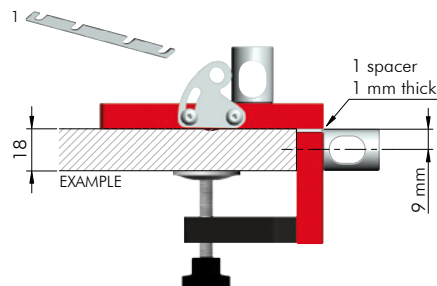
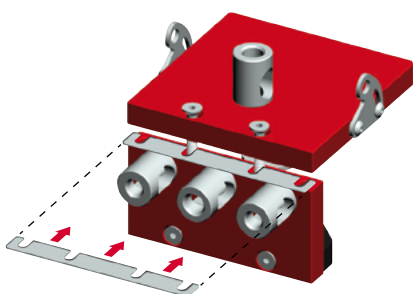
GENERAL SPECIFICATIONS



APPLICATION OPTIONS



DRILLING SPACERS FOR OTHER PANEL THICKNESSES



Šablony pre TARGET J10-J12

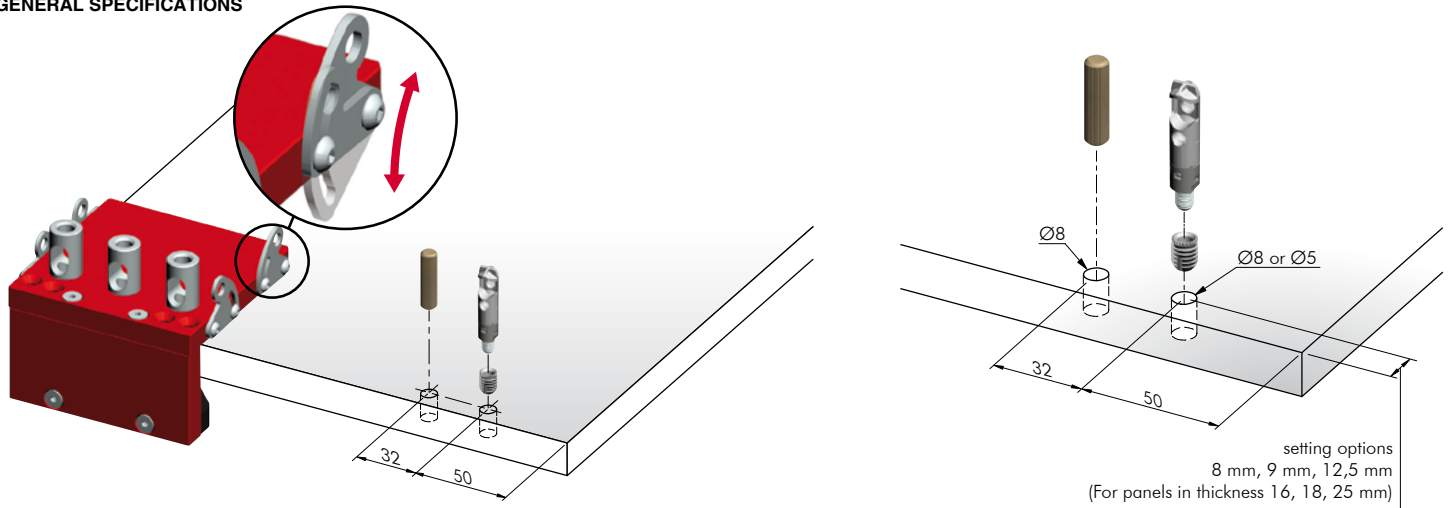
www.nabytkar.com



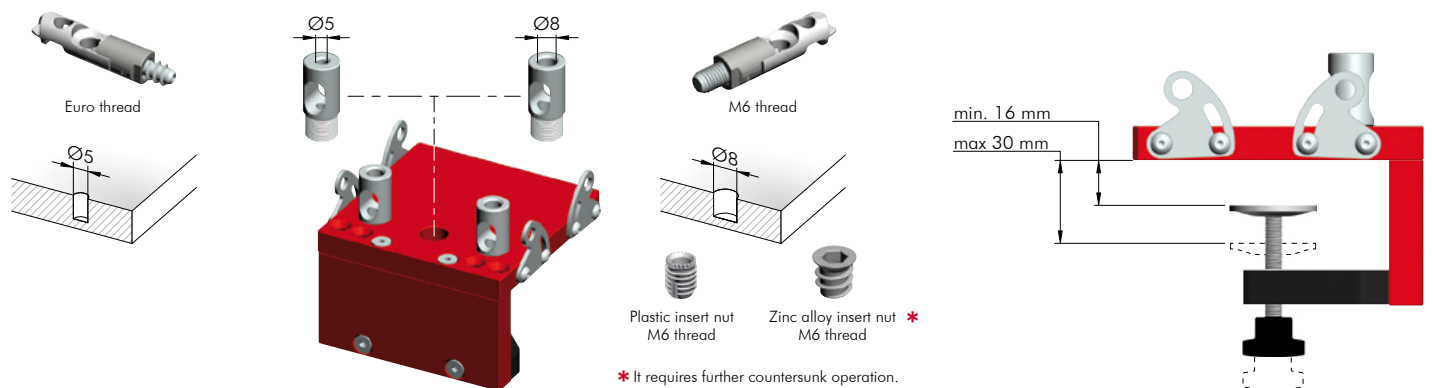
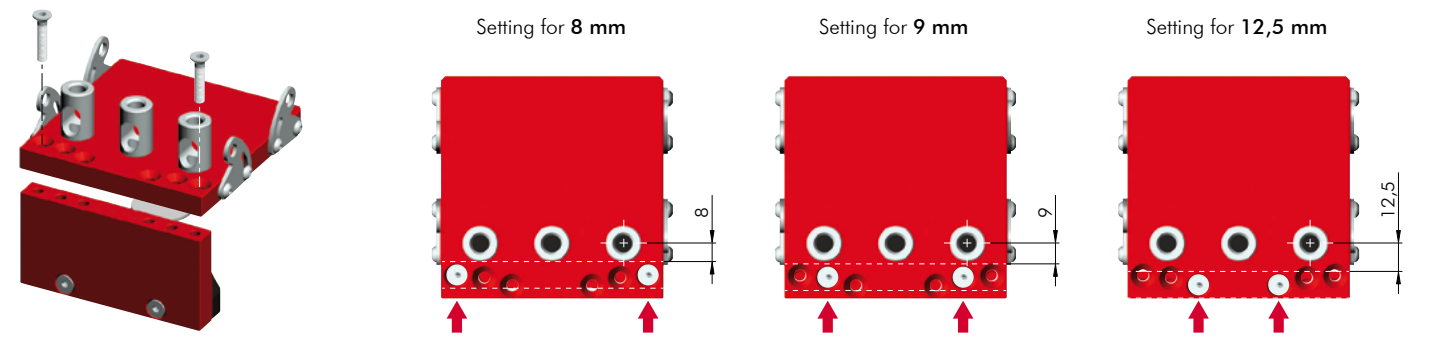
kód
788446

16 - 30 mm 

GENERAL SPECIFICATIONS



APPLICATION OPTIONS

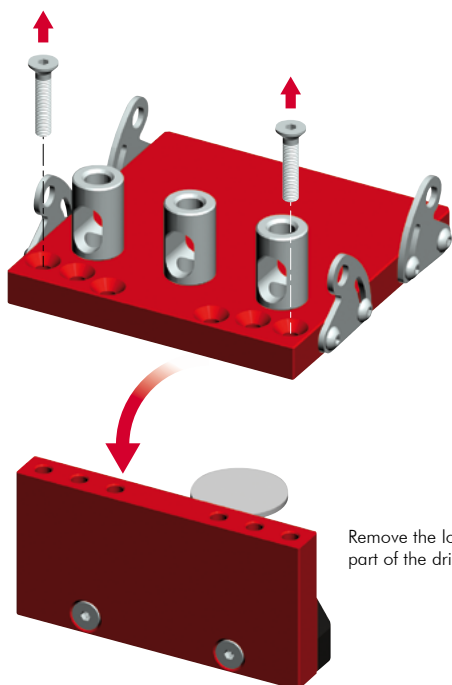


* It requires further countersunk operation.

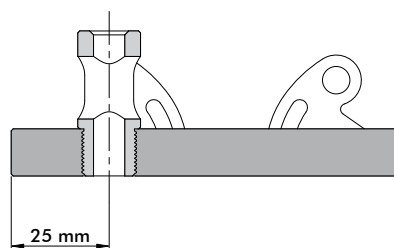
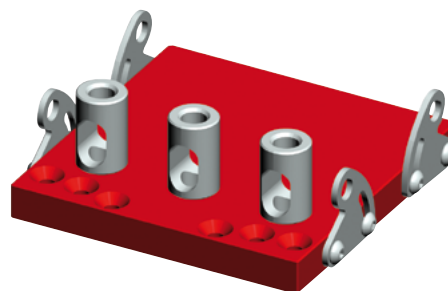
Šablony pre TARGET J10-J12

www.nabytkar.com

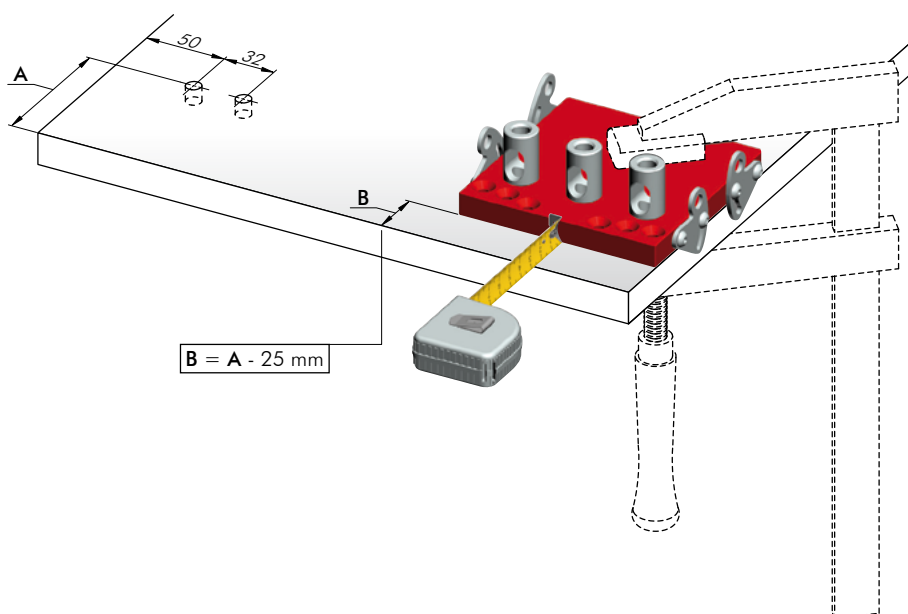
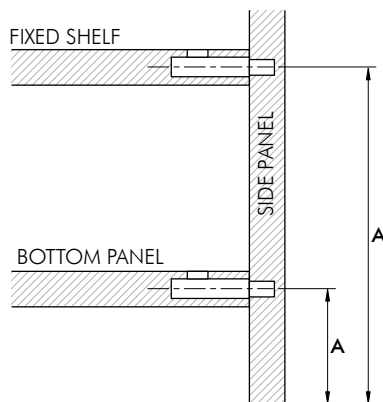
SETTING FOR ALTERNATIVE POSITIONS OF BOTTOM PANELS AND FIXED SHELVES



Remove the lower part of the drilling jig.



DRILLING JIG POSITIONING



$$B = A - 25 \text{ mm}$$

