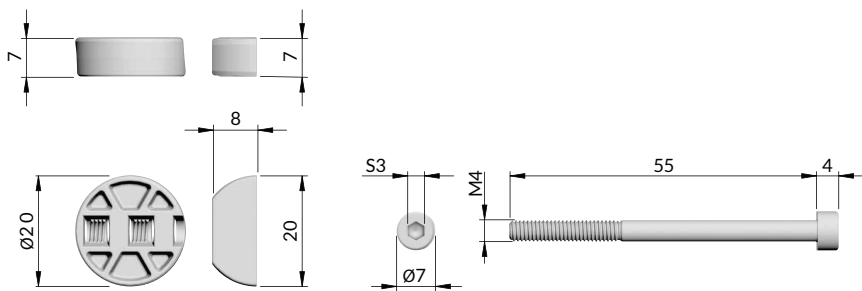
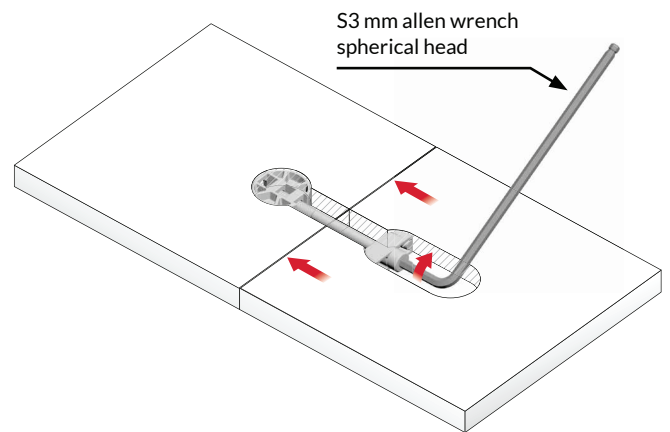
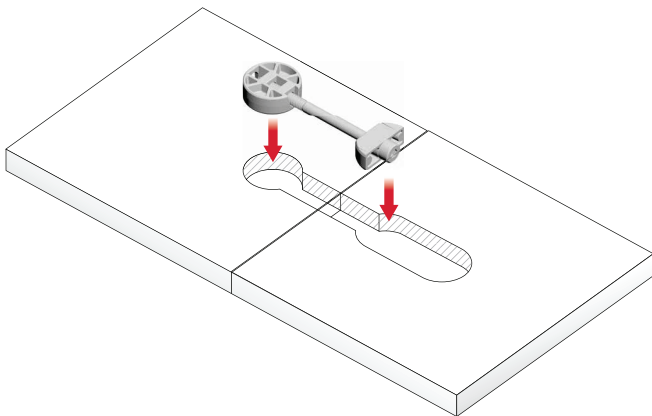


K TOP



10 mm min.

INSTALLATION



| | | |
|-------------|------|------------|
| = Ø 20 mm | = S3 | |
| ZA | ST | = 100 pcs. |
| | | |
| C01000 2522 | | |

NOTE: The set includes all the components shown in the picture.



